

A

AVIARY SYSTEMS REARING



SKIOLDLANDMECO

REARING



The system has been developed by **SKIOLDLANDMECO** in close cooperation with Danish producers based on many years' experience in manufacturing equipment for the poultry sector and in rearing chickens, respectively. There is no doubt that **SKIOLDLANDMECO's** rearing is a unique economical alternative to competing systems.

Considerable emphasis has been placed on functionality, chicken welfare and growth, user-friendliness, quality, ease of cleaning and, not least, price! The system is extremely simple and can easily be adapted to suit existing buildings. Many customers choose to install the system themselves and **SKIOLDLANDMECO** should be pleased to provide an experienced supervisor to ensure that installation is started correctly and optimally.

OPTIMUM CONDITIONS FROM START TO FINISH

1

PROTECTED ENVIRONMENT

The system is designed to offer the day-old chicks a protected environment on the lowest tier.



2

HEIGHT ADJUSTABLE

The system is equipped with height-adjustable feeding and drinking system, giving the chicks optimum conditions throughout their growth. The height-adjustable feeding and drinking system is attached to the tiered system itself and there are therefore no special requirements on housing unit design. The system can be delivered with either manual or electrical hoist.



OPTIMUM CONDITIONS FROM START TO FINISH

3

UNIQUE VISIBILITY

The staggered tier arrangement allows the producer an unobstructed view of the chicks during start-up and easy accessibility.



4

VERSATILE SIDE SCREENS

As the chicks become more mobile and learn to fly, the side screen can be lowered to provide a stairway to and from the floor.

Alternatively, side screens can be placed horizontally and thereby act as extra space.



5

UNIQUE ADVANTAGES DURING CAPTURE & CLEANING

When the birds are to be captured the feeding and drinking system is simply raised and the tiers folded up. The system has just a single central upright, allowing a total width of only 496 mm to be achieved when folded.

This ensures optimum conditions during capture and cleaning.



Superior quality

The materials used by **SKIOLDLANDMECO** are of very high quality. Only materials from acknowledged suppliers are used, thus ensuring long service life. The systems are always equipped with hot-dip galvanised base plate.

Lighting

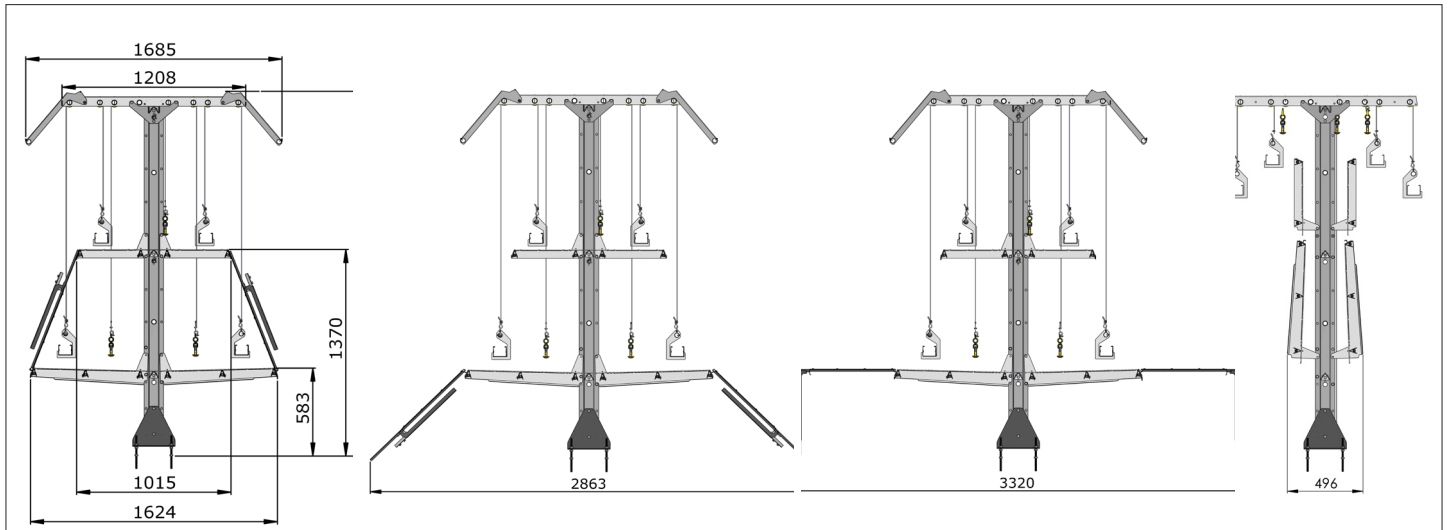
SKIOLDLANDMECO offers 24 V LED light tubes with built-in reflector. Dimmers are also available.

Technical data per running meter:

Area 2,55m²
Max. 13 m perches
Max. 4 m feed troughs
Max. 3 m drinking system

TECHNICAL SPECIFICATIONS

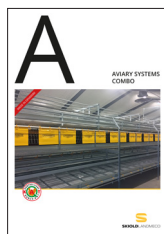
The system at start-up, after 2-3 weeks and during cleaning:



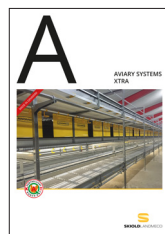
See also **SKIOLDLANDMECO** brochures on, for example:
 (SKIOLDLANDMECO retains the right to alter specifications without notice)



DRINKING SYSTEMS



AVIARY SYSTEMS
COMBO



AVIARY SYSTEMS
XTRA

DEALER